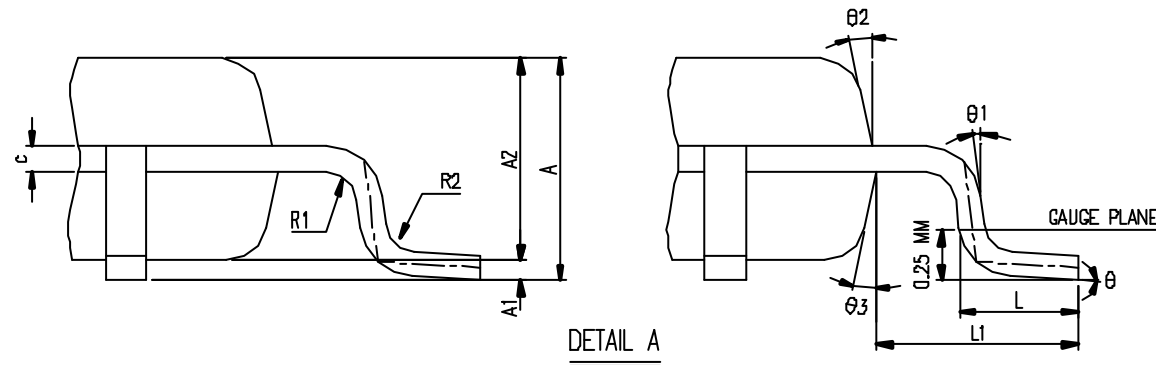
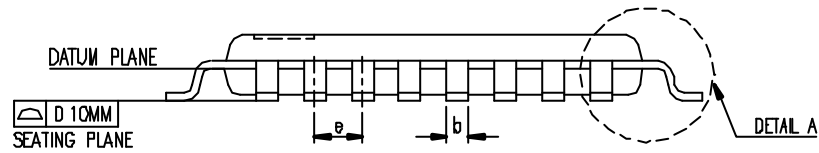
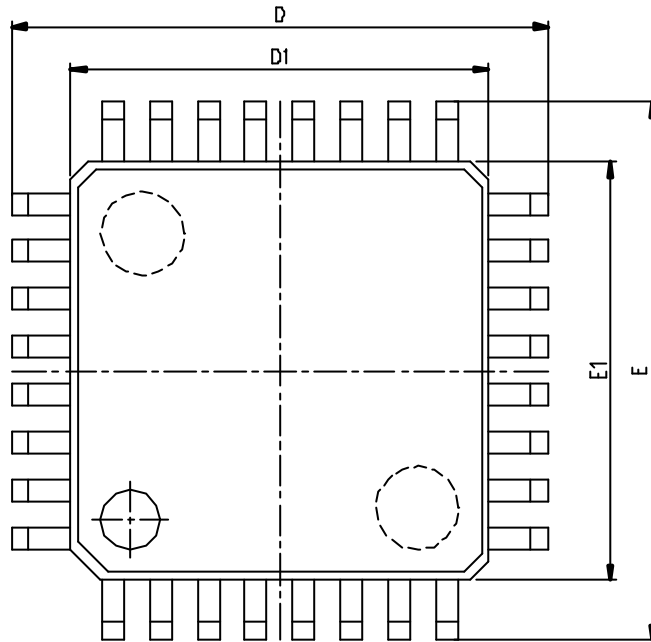


REV.	DESCRIPTION	BY	DATE
ORIG.	DRAWING ISSUE	SANDY CHEN	05.23.2008



SYMBOL	DIMENSION IN MM			DIMENSION IN INCH		
	MIN.	NOM	MAX.	MIN	NOM	MAX
A			1.20			0.047
A1	0.05		0.15	0.002		0.006
A2	0.95	1.00	1.05	0.037	0.039	0.041
b	0.30	0.37	0.45	0.012	0.015	0.018
c	0.09		0.20	0.004		0.008
e	0.80 BASIC			0.031 BASIC		
D	9.00 BASIC			0.354 BASIC		
D1	7.00 BASIC			0.276 BASIC		
E	9.00 BASIC			0.354 BASIC		
E1	7.00 BASIC			0.276 BASIC		
L	0.45	0.60	0.75	0.018	0.024	0.030
L1	1.00 REF.			0.039 REF.		
R1	0.08			0.003		
R2	0.08		0.20	0.003		0.008
theta	0°	3.5°	7°	0°	3.5°	7°
theta1	0°			0°		
theta2	11°	12°	13°	11°	12°	13°
theta3	11°	12°	13°	11°	12°	13°
JEDEC	MS-026 (ABA)					

* NOTES : DIMENSIONS " D1 " AND " E1 " DO NOT INCLUDE MOLD PROTRUSION. ALLOWABLE PROTRUSION IS 0.25 mm PER SIDE.
 " D1 " AND " E1 " ARE MAXIMUM PLASTIC BODY SIZE DIMENSIONS INCLUDING MOLD MISMATCH.

CWT Chant World Technology Inc.	<input type="checkbox"/>	<input checked="" type="checkbox"/>
	XXXXX ±0.005	ANGULAR ±
TITLE TQFP 32L PACKAGE OUTLINE BODY SIZE · 7 X 7 MM	XXXXX ±0.005	ROUGHNESS ✓
	XXXXX ±0.05	SCALE
	XX. ±0.1	
DESIGNED SMILE KUO 05.23.2008	UNIT	QTY
CHECKED SANDY CHEN 5.23.2008	FILE NAME : PNF032P1	A3
APPROVED SANDY CHEN 5.23.2008	DWG. NO.: CW-PN-DD3A	